

## ROTATING SPOON SAMPLER PGR



**EQUIPMENT USED TO AUTOMATICALLY OBTAIN A REPRESENTATIVE SAMPLE OUT OF A VERTICAL CHUTE**

**Sampling is done on the whole cross section of the chute enabling excellent representativeness**

## PRINCIPLE

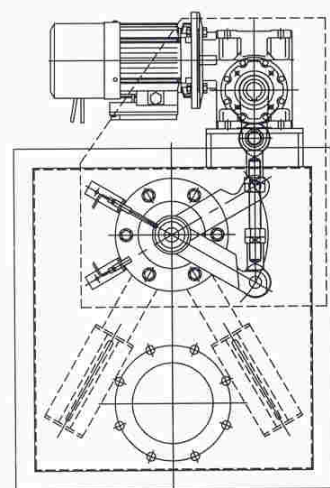
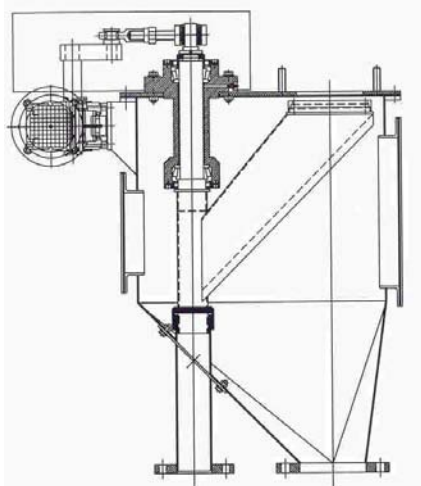
The rotating cup sampler **PGR** integrates a rotating sampling spoon used to cut the flow of material and collect a representative sample.

In resting position, the spoon remains outside material flow.

It is designed according to the application and sampling standards.

## SPECIFICATIONS

- Welded mild steel body
- Mild steel rotating spoon with removable PTFE sliding portion (minimum inclination 45°)
- Sampling slot manufactured in abrasion resistant steel with opening defined according to the application
  - Upper and lower flange for easy and fast erection on existing chute
  - Operation is done with the help of a gear motor with crank rod system
    - Steel shaft mounted on ball bearings
    - 2 inspection doors equipped with sealing
  - Gear motor : 0,25 to 1,5 kW under 230 / 400 V - 50/60 Hz - IP 55



## ADDITIONAL EQUIPMENTS

- Sampling automation
- Sample storage
- Sample transport
- Preparation and analysis

*ITECA reserves the right to modify its products without any prior notification*